

MARO_RF_BD1 (CHARISMA BOARD)

CONTENTS

What is a RF module?

What is the MARO RF BD1 (CHARISMA BOARD)?

BiM-UHF

TX2, RX2

CHARISMA USER MANUAL

1. POWER SUPPLY
2. Antenna Connection
3. Module Attachment
4. Mode setting (BiM module only)
5. TX2
6. RX2
7. Others

PARTS LIST

SCHEMATIC

What is a RF module?

A RF (Radio Frequency) module is a compact component used for wireless radio communication. In this case, radio frequency refers to a general electric wave and not only a radio broadcasting frequency. RF modules can be classified by frequency, modulation method, data, output strength, etc. RF modules are frequently used when precise wireless applications are necessary.

What is the MARO RF BD1(CHARISMA BOARD)?

The Charisma RF board converts RS232 serial data to RF data and vice versa. The Charisma board can easily be connected to equipment with a RS232 port. The Charisma board is designed to accept Radiometrix(www.radiometrix.co.uk) BiM, TX2, or RX2 modules. PC to PC communication is possible if both PCs have Charisma boards connected.

BiM-UHF

The BiM-418-F and BiM-433-F are miniature UHF radio modules capable of half duplex data transmissions at speeds up to 40 Kbit/s over distances of 30 meters in-building and 120 meters over open ground. Single 4.5V to 5.5V power supply is required.

| | Frequency | Speed | Distnace | Radiated Power | Receive Sensitivity | Power | Whip Antenna |
|------------------|------------|---------|----------|----------------|---------------------|-----------|--------------|
| BiM-418-F | 418.00 MHz | 40K bps | 30~120 m | -6 dBm | -107 dBm | 4.5~5.5 V | 16.5 cm |
| BiM-433-F | 433.92 MHz | 40K bps | 30~120 m | -6 dBm | -107 dBm | 4.5~5.5 V | 15.5 cm |

Table 1 BiM two-way RF module

Warning: Do not adjust the trimmer on the module. It controls the receive frequency and can only be correctly adjusted using an accurate RF signal generator.

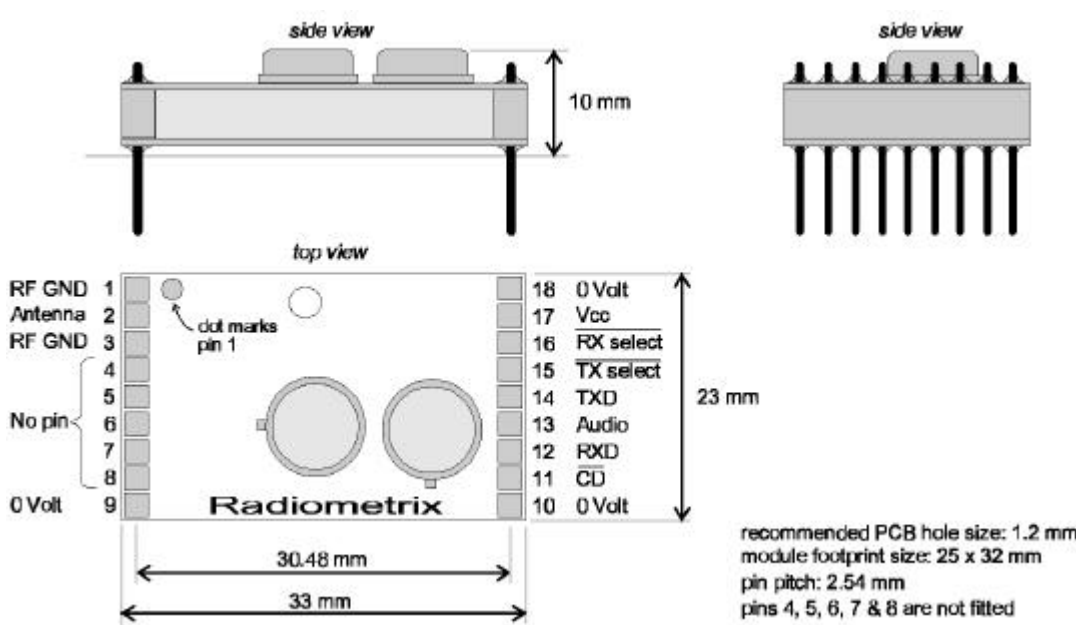


Figure 1 BiM module

TX2, RX2

The TX2 and RX2 data link modules are a miniature PCB mounting UHF radio transmitter and receiver pair which enable the simple implementation of a data link at up to 40 Kbit/s at distances up to 75 meters in-building and 300 meters open ground. 3.3V and 5V version are available.

| | Frequency | Speed | Distance | Radiated Power | Receive Sensitivity | Power | Whip Antenna |
|------------|--------------------------|---------|----------|------------------|---------------------|-----------|--------------------|
| TX2 | 418.00 MHz 433.92 MHz | 40K bps | 75~300 m | -6 dBm +9 dBm | | 4.0~6.0 V | 16.5 cm 15.5 cm |
| RX2 | 418.00 MHz 433.92 MHz | 40K bps | 75~300 m | | -100 dBm | 4.0~6.0 V | 16.5 cm 15.5 cm |

Table 2 TX2, RX2 one-way RF module

Warning: • This table is for the 5V version.

- If 6V or greater is supplied, the radiated power increases, however, government regulatory permission is required.
- RX2 has two speed versions: -A(low speed, 14Kbit/s), -F(high speed, 40Kbit/s). This table refers to the -F version.

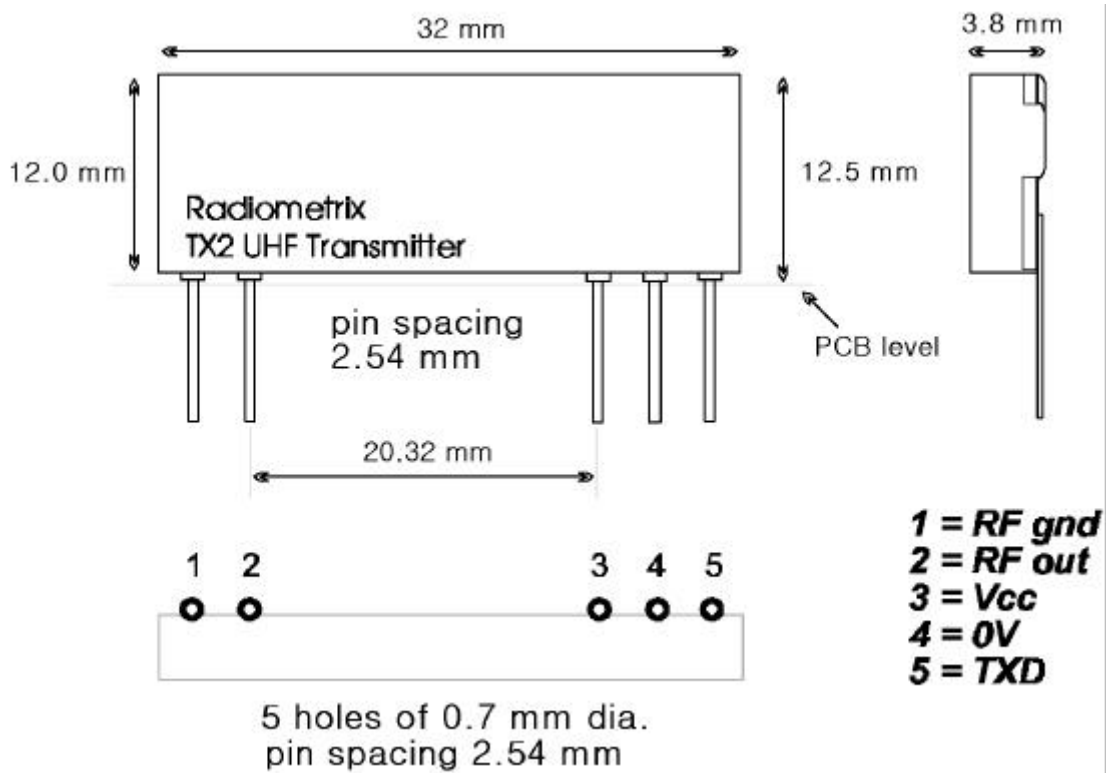


Figure 2 TX2

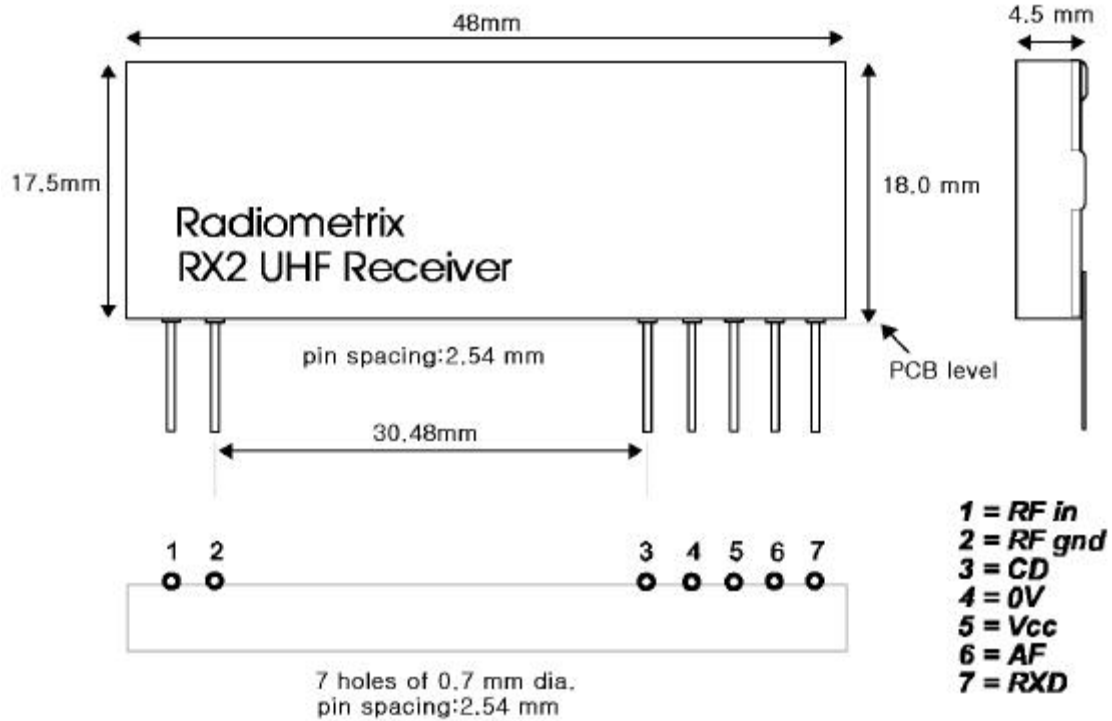


Figure 3 RX2

CHARISMA USER MANUAL

1. POWER SUPPLY

The Charisma board uses a single DC 5V power source. Power can be supplied via three methods:

- DC 5V to the JP7 port.
- 9V battery to the JP1 port.
- DC 6~12V adapter to the J1 port.

You must use only one of the above. If a DC adapter is used, and the LED D2 does not light, change the polarity of the plug. The Charisma board has a power cut-off diode, which prevents damage due to incorrect polarity. Refer to Figure 4 for the polarity of other power ports.

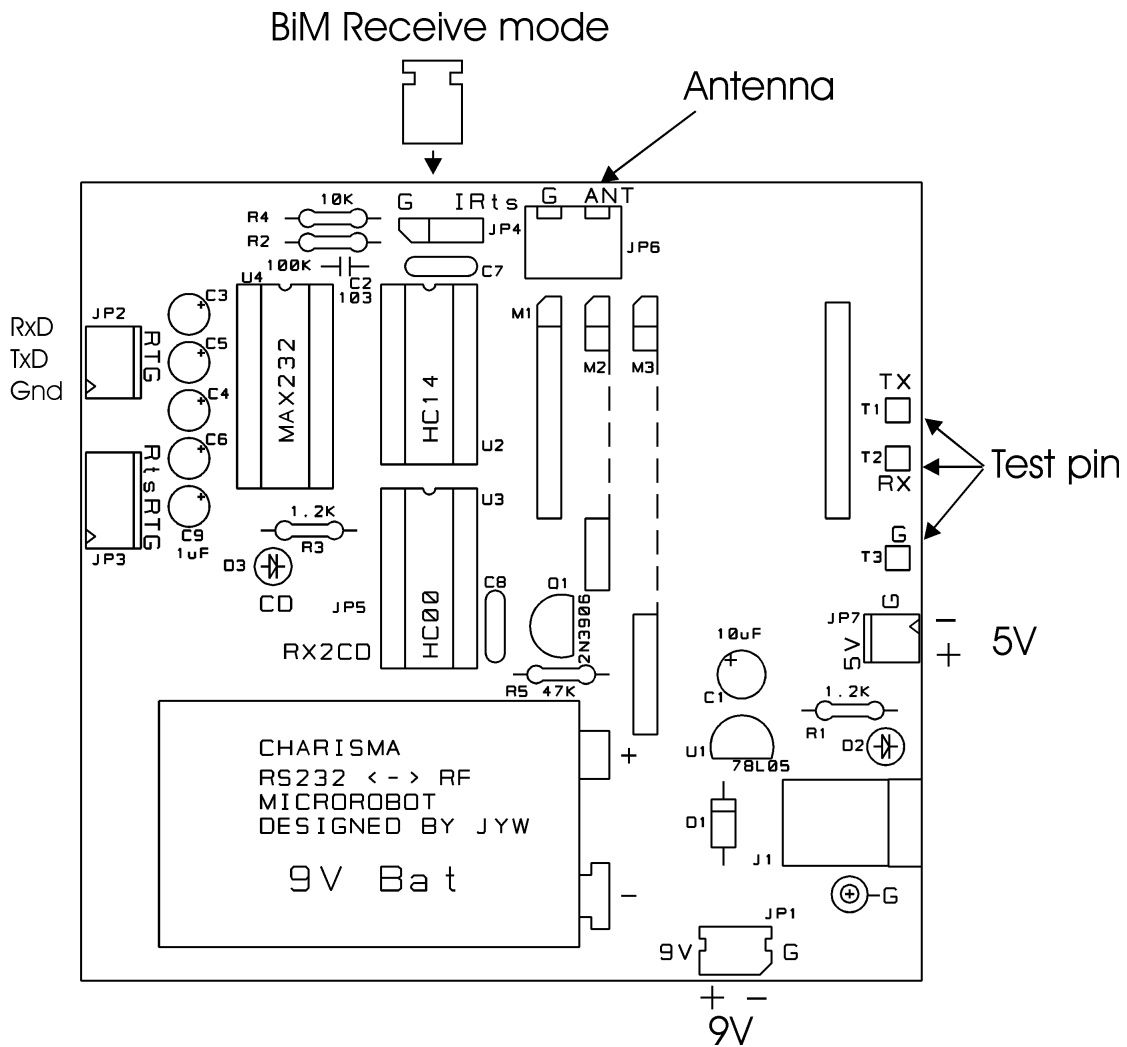


Figure 4 Silkscreen

| Power | Port |
|---------------|------|
| 5 V | JP7 |
| 6~12V adapter | J1 |
| 9V battery | JP1 |

Table 3 Power supply

Warning : Use only one method.

2. Antenna Connection

Refer to the RF module data sheets for proper antenna connection. If a whip antenna is desired,

connect it to the right side of the JP6 terminal block. Refer to previous tables for proper antenna length.

3. Module Attachment

Only one BiM, TX2, or RX2 can be used at a time.

BiM module uses the M1 socket.

TX2 module uses the M2 socket.

RX2 module uses the M3 socket.

Warning: All modules have polarity.

4. Mode setting(BiM module only)

BiM modules are two-way RF communication modules. To select transmission or reception mode, a software or hardware method can be used. The software method uses the RTS (No. 4 pin of the JP3) pin of the RS232 port. The hardware method uses a jumper block. Refer to Table 4.

| Jumper Setting | Mode |
|----------------|-----------------|
| 1, 2 | Reception |
| 2, 3 | Software Method |
| Empty | Transmission |

Table 4 JP4 Jumper setting.

Note: JP4 has no relation to the TX2 or RX2 modules.

If the software method is used, use a 4-wire serial cable with the JP3 instead of the JP2.

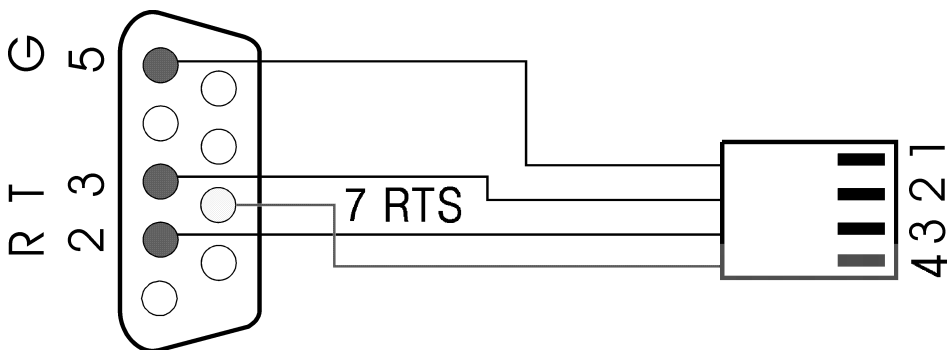


Figure 5 Serial Cable

5. TX2

Insert the TX2 module into the M2 socket. Ignore the JP4.

6. RX2

Insert the RX2 module into the M3 socket. Solder the JP5(SMD jumper) to make a connection. Ignore the JP4.

7. Others

- 418 MHz and 433 MHz are UHF(Ultra High Frequency).
- BiM and TX2 use SAW controlled FM transmission.
- BiM and RX2 are double conversion FM superhet receivers.
- BiM and TX2 or RX2 can communicate each other, when they use the same frequency.
- Basic constraints that any serial code must satisfy for reliable transfer.
 - **T(Pulse width time):** $25\mu s < T < 2ms$
 - **Preamble(for RX settling):** The AFC and data slicer in the receiver require at least 3ms of '10101010' preamble to be transmitted before the data at the RXD output may be considered reliable. Increasing this time to 5ms will give increased immunity to RF interference.
 - **Mark/Space ratio:** The data slicer in the receiver is optimized for data waveforms with 50:50 Mark:Space averaged over any 4ms period. The slicer will tolerate sustained asymmetry up to 30/70 (either way), however, this will result in increased pulse width distortion and decreased noise tolerance.
- Packet will be used for RF communication. A packet is a wrapping data with rule. This is a recommended packet format.

| | | | | | | |
|------------------------|-----|-------|------------|-------|------------|------------------|
| preamble more than 3ms | FFh | (FFh) | Start byte | (01h) | data bytes | CRC or Check Sum |
|------------------------|-----|-------|------------|-------|------------|------------------|

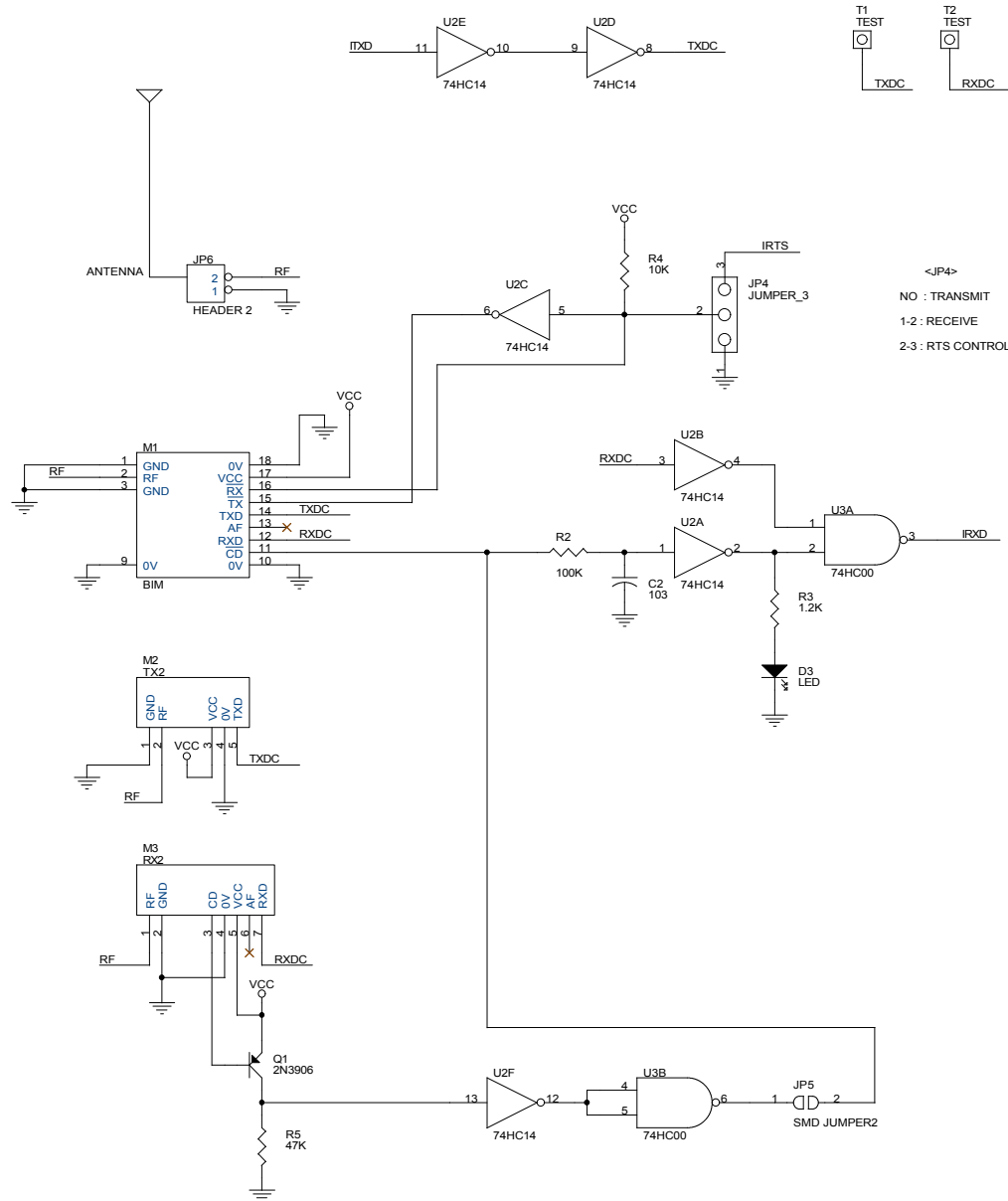
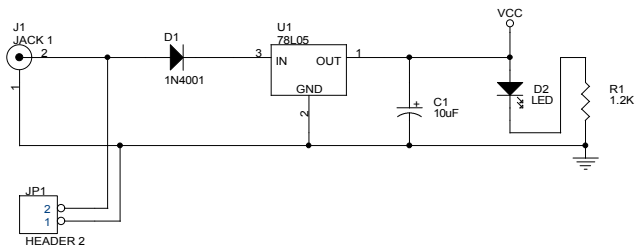
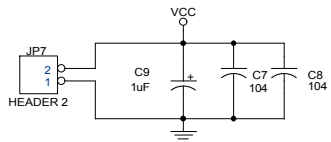
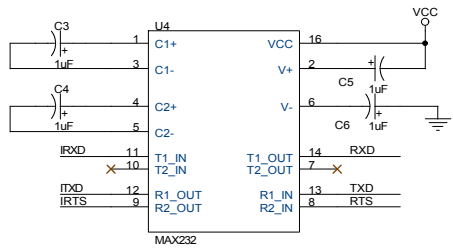
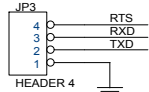
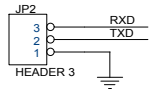
Table 5 Packet example

Note:

- Preamble can be made using series of 55h or AAh data.
cf) 55h = 01010101B, AAh = 10101010B => 50:50 Mark:Space ratio.
- FFh : To find start bit.
- (FFh) : Optional.
- Start byte : Your own start byte.
- (01h) : Optional.
- data bytes : Series of FFh or 00h might cause a problem. Because their Mark:Space ratio is not proper. 17h, 1Bh, 1Dh, 1Eh,...4Eh, 53h,...87h,8Bh..... values will be fine. Refer to the data sheet for more information.
- CRC or Check Sum : Optional.
- There are several Charisma board RF communication program at www.microrobot.com or www.microrobotna.com.

PARTS LIST

| Item | Quantity | Reference | Part |
|------|----------|----------------|---------------------------|
| 1 | 1 | C1 | 10uF |
| 2 | 1 | C2 | 103 |
| 3 | 5 | C3,C4,C5,C6,C9 | 1uF |
| 4 | 2 | C7,C8 | 104 |
| 5 | 1 | D1 | 1N4001 |
| 6 | 2 | D2,D3 | LED |
| 7 | 1 | JP1 | 5267-2 |
| 8 | 1 | JP2 | 5045-3 |
| 9 | 1 | JP3 | 5045-4 |
| 10 | 1 | JP4 | 3P PIN HEADER |
| 11 | 1 | JP5 | SMD JUMPER2(NO REAL PART) |
| 12 | 1 | JP6 | BR5001(TERMINAL BLOCK) |
| 13 | 1 | JP7 | 5045-2 |
| 14 | 1 | J1 | JACK 1 |
| 15 | 2 | M1 | 9 x 1 PIN HEADER SOCKET |
| 16 | 1 | M2 | 2P SIP |
| | 1 | | 3P SIP |
| 17 | 1 | M3 | 2P SIP |
| | 1 | | 5P SIP |
| 18 | 1 | Q1 | 2N3906 |
| 19 | 2 | R1,R3 | 1.2K Ohm |
| 20 | 1 | R2 | 100K Ohm |
| 21 | 1 | R4 | 10K Ohm |
| 22 | 1 | R5 | 47K Ohm |
| 23 | 3 | T1,T2,T3 | TEST PIN |
| 24 | 1 | U1 | 78L05 |
| 25 | 1 | U2 | 74HC14 |
| 26 | 1 | U3 | 74HC00 |
| 27 | 1 | U4 | MAX232(or replacement) |
| 28 | 1 | | JUMPER BLOCK |
| 29 | 1 | | ANTENNA |
| 30 | 4 | | RUBBER SUPPORTER |
| 31 | 1 | | SERIAL CABLE(OPTIONAL) |
| 32 | 1 | | PCB |



<JP4>
 NO : TRANSMIT
 1-2 : RECEIVE
 2-3 : RTS CONTROL

| | | |
|---------------------|-----------------|--------|
| MICROROBOT CO., LTD | | |
| Title | | |
| CHARISMA | | |
| Size | Document Number | Rev |
| E | | n |
| Date: | Sheet | 1 of 0 |